



Fisher Engineering

P.O. Box 529 Rockland, Maine 04841

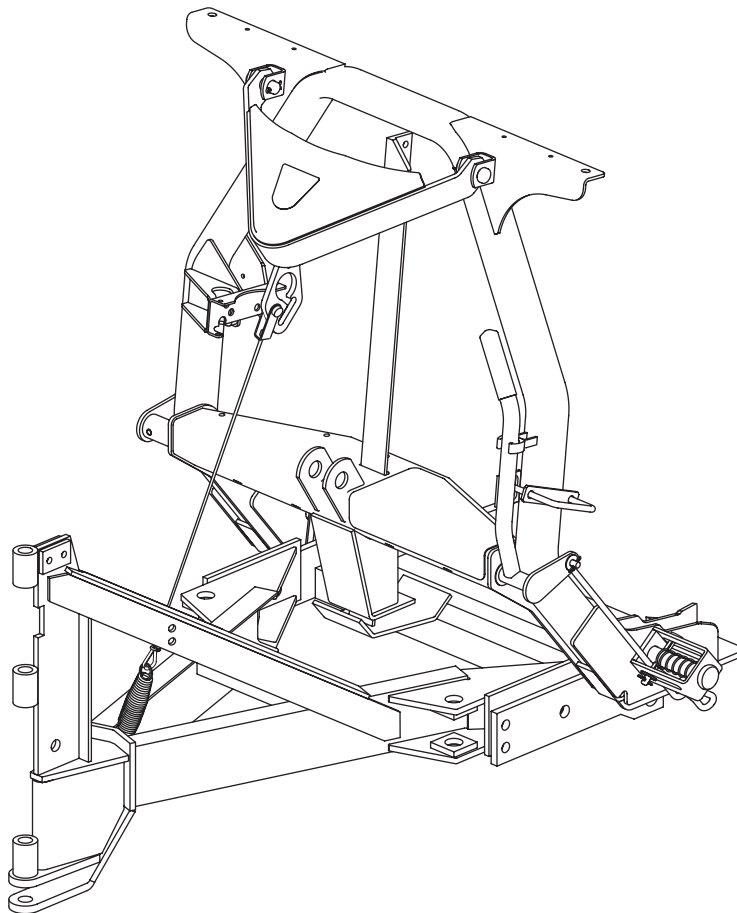
28888 V

March 19, 2004
Lit. No. 27591

Minute²
Mount
SYSTEM

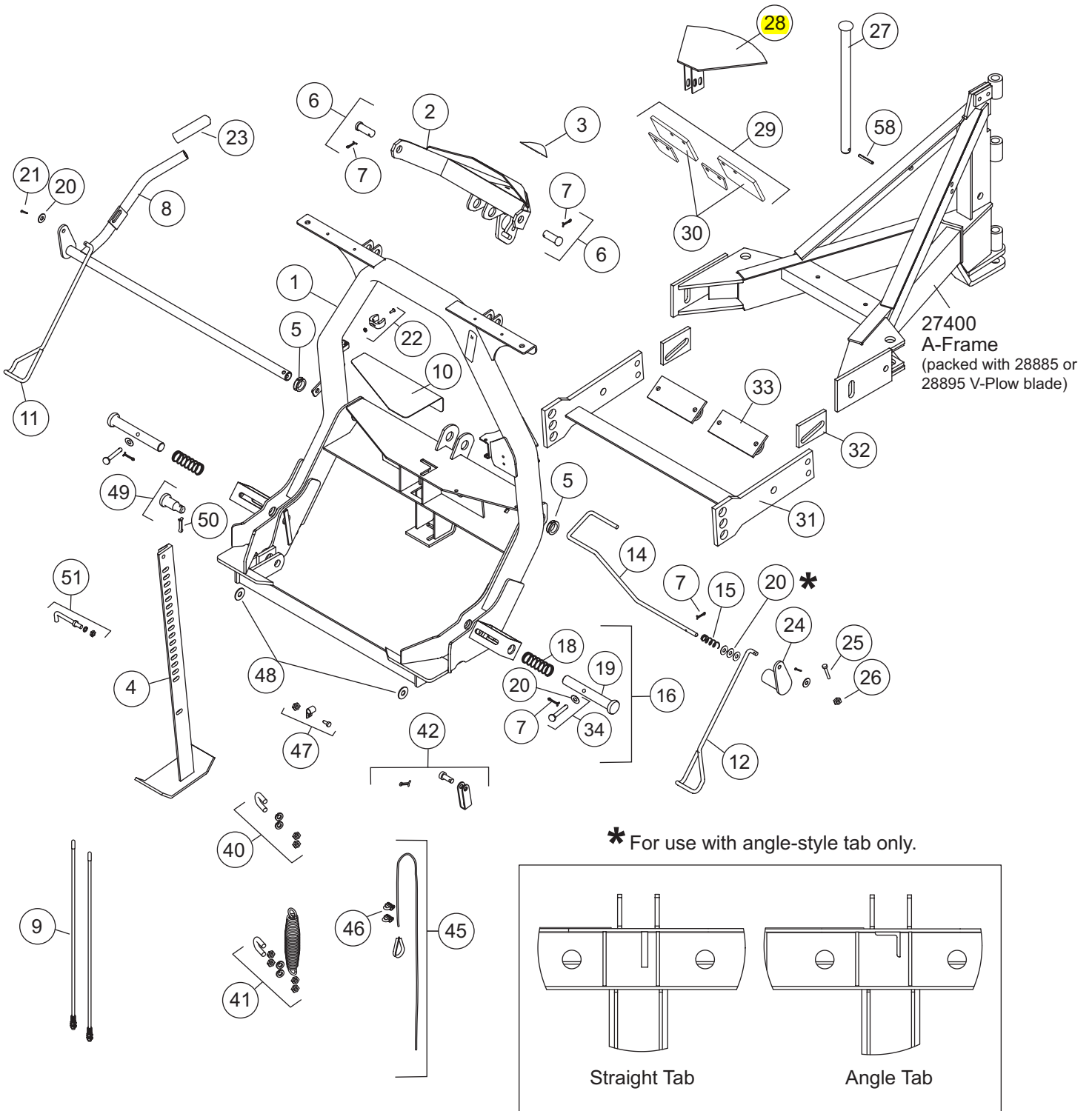


Parts Lists and Diagrams



MINUTE MOUNT® 2 SYSTEM

Exploded View – Rear



28888 Headgear Kit							
Item	Part	Qty	Description	Item	Part	Qty	Description
1	27454	1	Headgear	20	90315	7	3/8 Flat Washer
2	26757	1	Lift Arm – Yellow	21	91902	1	1/8 x 1 Cotter Pin
3	26777	1	Nameplate Decal, MM2	22	27162K	1	Stop Clip Kit
4	27462	1	Jack	23	27535	1	Handle Cover Kit
5	27163K	1	Bushing Kit (2 bushings)	24	27465	1	Link Arm
6	4289K	2	3/4 x 1-7/8 Machine Pin Packet	25	90043	1	3/8-16 x 2 Hex Cap Screw G5
7	90658	5	5/32 x 1-1/4 Cotter Pin	26	91333	1	3/8-16 Hex Locknut GB
8	27468	1	Handle-Link Arm Assembly	27	20988	1	V-Plow Pivot Pin
9	27195	1	Flexible Blade Guide Set – 26"	28	21873	1	Center Deflector
10	27451	1	Label, MM2 Headgear	29	26858-1	1	EZ-V® Center Flap Kit
11	27166K	1	Wire Cam Kit – DS	30	26341	1	EZ-V Center Flap (Pair)
12	27167K	1	Wire Cam Kit – PS	31	27345	1	Push Assembly
14	27478	1	Jack Lock	32	27346	2	Plate, Slotted
15	27461	1	Compression Spring, 3/4 OD x 3-1/2	33	27533	2	A-Frame Stop
16	27168K	2	Connecting Pin Kit	34	26219	2	Clevis Pin Kit
18	821	2	Compression Spring, 1 ID x 3-1/2	ns	27593	1	Bolt Bag for 28888
19	26833	2	1 OD x 6-15/16 Pin	ns	27912	1	Chain Bag
27593 Bolt Bag for 28888							
40	A6148K	2	Packet – U-Bolt Assembly	ns	90201	4	3/8-16 x 1 Carriage Bolt G5
41	27534	1	Spring / U-Bolt Kit	ns	91333	6	3/8-16 Hex Locknut GB
42	27171K	1	Clevis Kit	ns	90043	2	3/8-16 x 2 Hex Cap Screw G5
45	27169K	1	Cable Kit	ns	90315	4	3/8 Flat Washer
46	27075	2	1/8 Wire Rope Clip	ns	98003	2	5/8-11 x 2 Flanged Head G8
47	27172K	1	Clamp Loop Kit	ns	98004	2	5/8-11 Hex Flange Locknut GG
48	91192	2	Round Flat Washer	ns	98019	2	3/4-10 Hex Flange Locknut GG
49	27177K	2	Step Pin Kit	ns	98037	2	3/4-10 x 2-1/2 Hex Cap Screw
50	90601	2	1/4 x 1-1/2 Cotter Pin	ns	90104	2	1/2-13 x 2-1/2 Hex Cap Screw G5
51	27164K	1	Handle Kit	ns	91105	4	1/2 Flat Washer
58	26463	1	1/4 x 2 Slotted Spring Pin	ns	91335	6	1/2-13 Hex Locknut GB
				ns	90217	4	1/2-13 x 2 Hex Cap Screw G5
26858-1 EZ-V Center Flap Kit							
30	26341	1	EZ-V Center Flap (Pair)	ns	26348	1	Bolt Bag for 26858-1
ns	21054	2	Backing Plate				
26348 Bolt Bag for 26858-1							
ns	91105	4	1/2 Flat Washer	ns*	98053	4	1/2-13 x 3 Carriage Bolt G8
ns	91335	4	1/2-13 Hex Locknut GB	ns*	90104	4	1/2-13 x 2-1/2 Hex Cap Screw G5
ZYC = zinc yellow chromate				ns = not shown			
* Use 90104 if no cutting edge is installed; use 98053 if a cutting edge is installed.							

Copyright © 2004 Douglas Dynamics, L.L.C. All rights reserved. This material may not be reproduced or copied, in whole or in part, in any printed, mechanical, electronic, film or other distribution and storage media, without the written consent of Fisher Engineering. Authorization to photocopy items for internal or personal use by Fisher Engineering outlets or snowplow owner is granted.

Fisher Engineering reserves the right under its product improvement policy to change construction or design details and furnish equipment when so altered without reference to illustrations or specifications used. Fisher Engineering and the vehicle manufacturer may require and/or recommend optional equipment for snow removal. Do not exceed vehicle ratings with a snowplow. Fisher Engineering offers a limited warranty for all snowplows and accessories. See separately printed page for this important information. The following are registered (®) trademarks of Douglas Dynamics, L.L.C.: EZ-V®, FISHER®, Minute Mount® 2.

Printed in U.S.A.
